

# Small, compact Thermostat KTO 011 / KTS 011



- **Large setting range**
- **Small size**
- **Simple to mount**
- **High switching performance**

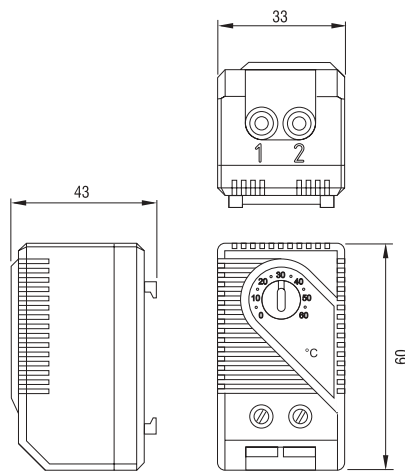
KTO 011: Thermostat (normally closed); contact breaker for regulating heaters.

KTS 011: Thermostat (normally open); contact maker for regulating of filter fans and heat exchangers or for switching signal devised when temperature limit has been exceeded.



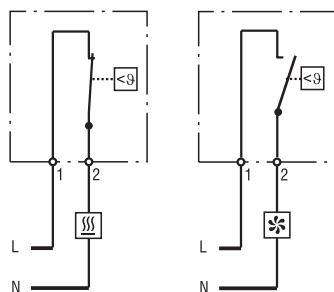
### Technical Data

<b>Switch temperature difference</b>	7K (± 4K tolerance)
<b>Sensor element</b>	thermostatic bimetal
<b>Contact type</b>	snap-action contact
<b>Contact resistance</b>	< 10mOhm
<b>Service life</b>	> 100,000 cycles
<b>Max. Switching capacity</b>	250VAC, 10 (2) A 120VAC, 15 (2) A DC 30W
<b>EMC</b>	acc. to EN 55014-1-2, EN 61000-3-2, EN 61000-3-3
<b>Connection</b>	2-pole terminal for 2.5mm <sup>2</sup> , clamping torque 0.8Nm
<b>Mounting</b>	clip for 35mm DIN rail, EN50022 (or for exit filter EF 118 Series)
<b>Casing</b>	plastic according to UL94 V-0, light grey
<b>Dimensions</b>	60 x 33 x 43mm
<b>Weight</b>	approx. 40g
<b>Fitting position</b>	variable
<b>Operating/Storage temperature</b>	-20 to +80 °C (-4 to +176 °F) / -45 to +80 °C (-49 to +176 °F)
<b>Protection type</b>	IP20

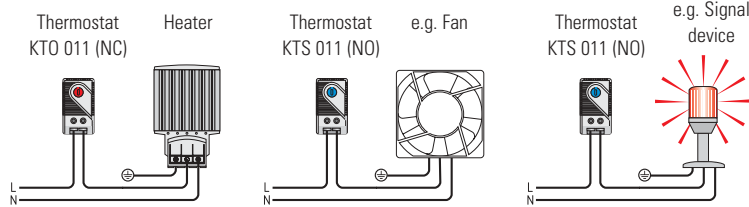


Thermostat KTO 011 (NC)

Thermostat KTS 011 (NO)



Example of connection



Example of connection

Setting range	Art. No. Contact Breaker (NC)	Art. No. Contact Maker (NO)	Approvals
0 to +60°C	01140.0-00	01141.0-00	VDE
-10 to +50°C	01142.0-00	01143.0-00	VDE
+20 to +80°C	01159.0-00	01158.0-00	VDE
+32 to +140°F	01140.9-00	01141.9-00	UL File No. E164102
+14 to +122°F	01142.9-00	01143.9-00	UL File No. E164102
0 to +60°C	01146.9-00	01147.9-00	UL File No. E164102

Specifications are subject to change without notice. Errors and omissions excepted. Suitability of this product for its intended use and any associated risks must be determined by the end customer/buyer in its final application. 24.04.2006